



Features

- UL Listed power supply for constant voltage LED lamp
- UL 8750 class 2 output
- The output current of the power supply could be dimmed between 10%-100% by trailing edge or leading edge dimmers.
- Recommended dimmers: Leviton Decora-6631, Lutron TG-603PGH, CTCL-153PDH, TGCL-153PH, DV-600PR etc.
- Open circuit, short circuit, over load and over temperature protection
- Auto restart after fault conditions removal
- Efficiency $\geq 85\%$ (AC120V, full load)
- Warranty: 5 years

GENERAL INFORMATION

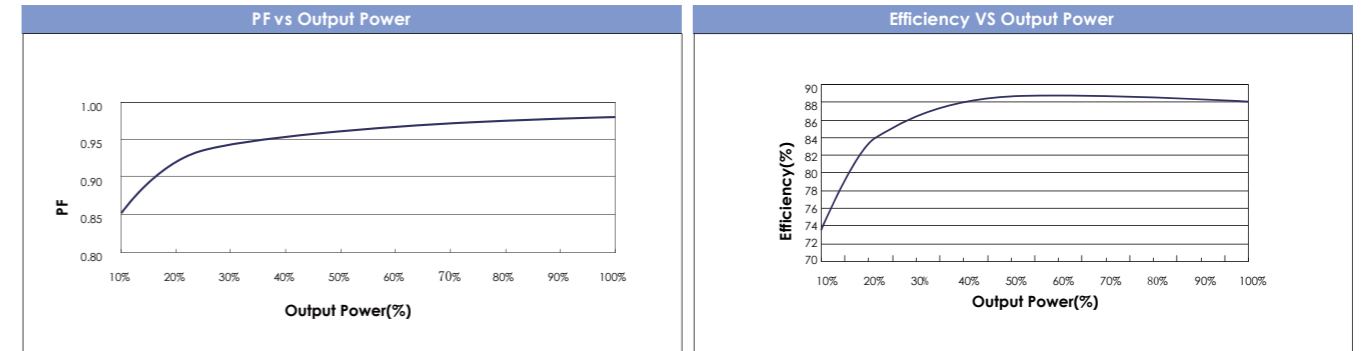
Catalog No. ⁽¹⁾	Model	Input	Output Voltage	Output Power
NA159-4024TLA-DG6	SLD40-24VL-US-A	120Vac	24Vdc	0-40W(Without dimmer) 5-40W(With dimmer)

Note:(1)How to order, using our catalog no.

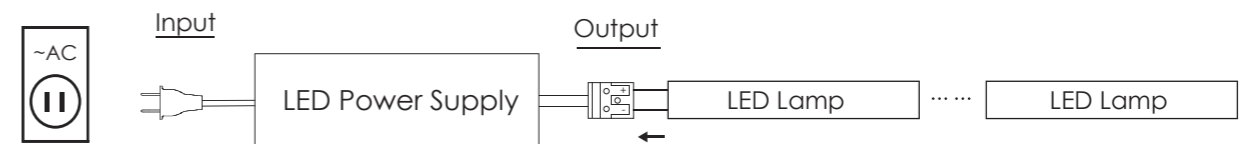
SPECIFICATION

Input		Output	
Rated Supply Voltage(Vac)	120V	Output Voltage(Vdc)	24V
Voltage Range(Vac)	108-132V	Output Current(A)	0-1.67A(Without dimmer) 0.21-1.67A(With dimmer)
Line Frequency(Hz)	50/60 Hz	Output Ripple(V)	4.5(V _{p-p})
Input Current(A)	0.46A	Ambient and Life	
THD	<20%	Ambient Operating Temp.	-20 to 35°C
Power Factor	0.95	Storage Temp.	-30 to 80 °C
Efficiency	$\geq 85\%$	Relative Humidity	5% to 85%
Stand-by Power(W)	<2W	Nominal Life-Time	50,000hrs@Ta=35°C
Inrush Current(Apk/ μ s)	2A/120 μ s	Safety&EMC Compliance	
Protection		UL/CUL	UL1310 CSA C22.2 NO. 250.13-12 UL8750 CSA C22.2 NO. 223-M91
Over Voltage Protection	YES	FCC Part 15	ANSI C63.4:2014 Class B
Short Circuit Protection	YES	Others	
Over Temperature Protection	YES	Weight(g)	275.2g
Over Load Protection	YES	Casing Material	Plastic
Surge Protection(KV)	L-N:1KV	Housing Color	White
		UL Environmental Rating	Dry and damp locations
		IP Rating	IP20

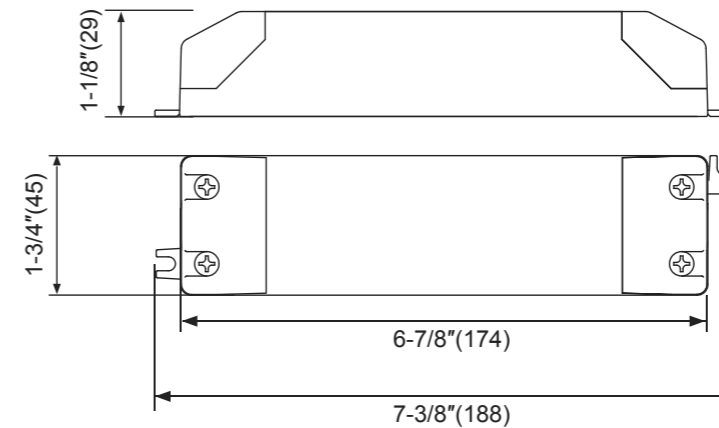
ELECTRONICS CURVES



WIRING DIAGRAM



DIMENSIONS(inches/mm)



Input Plug	NA1
Output Splitter	DG238 DEGSON
Wire Gauge	18AWG
Input Wire	59"(white)
Output Wire	6"(white)