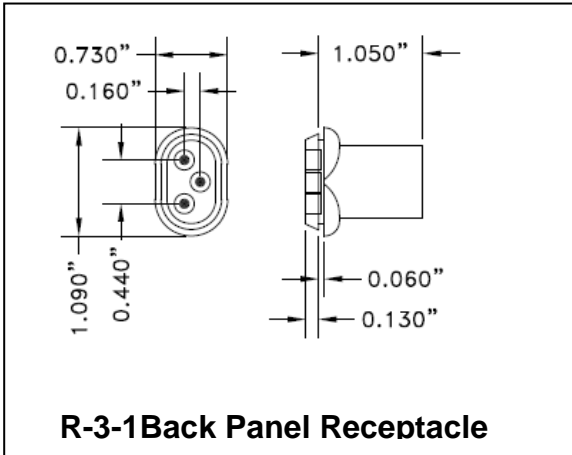
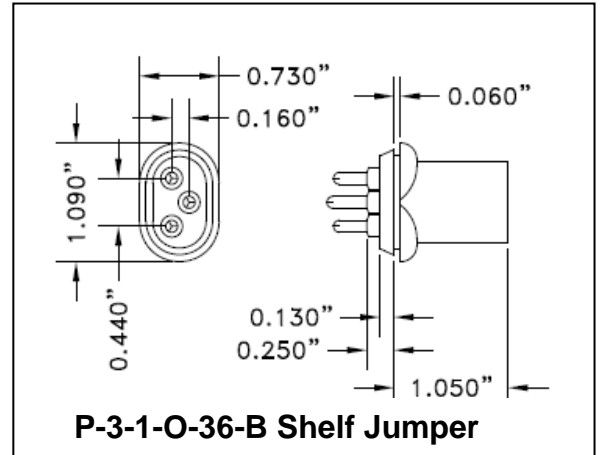


**Back Panel Receptacle Foot Prints**

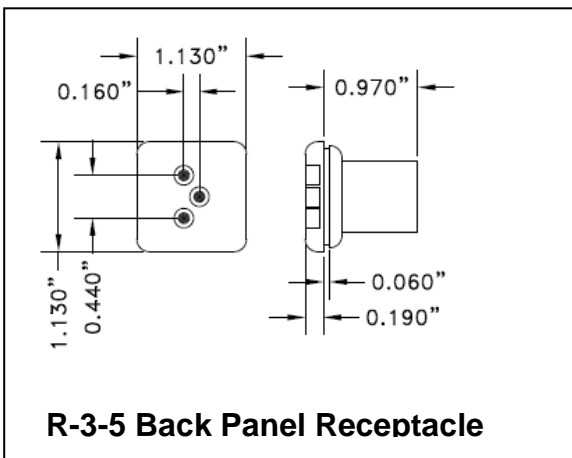


**R-3-1 Back Panel Receptacle**

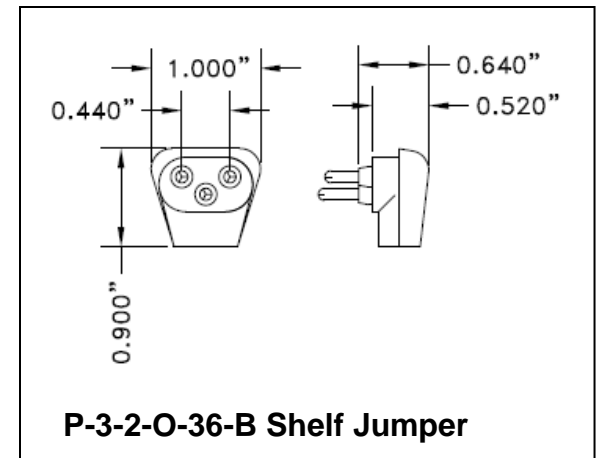
**LEDingEDGE Mating Plug Jumpers**



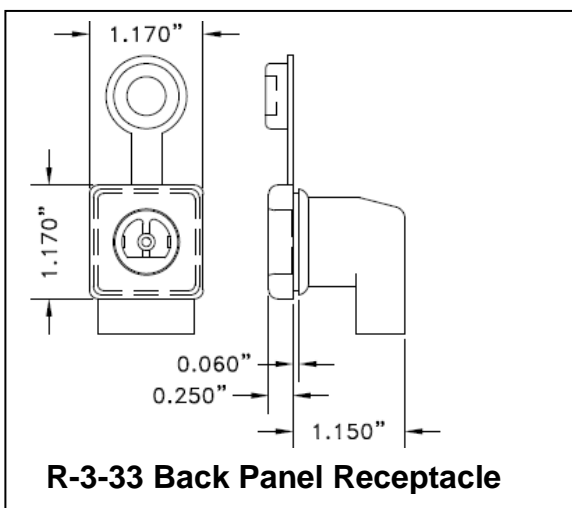
**P-3-1-O-36-B Shelf Jumper**



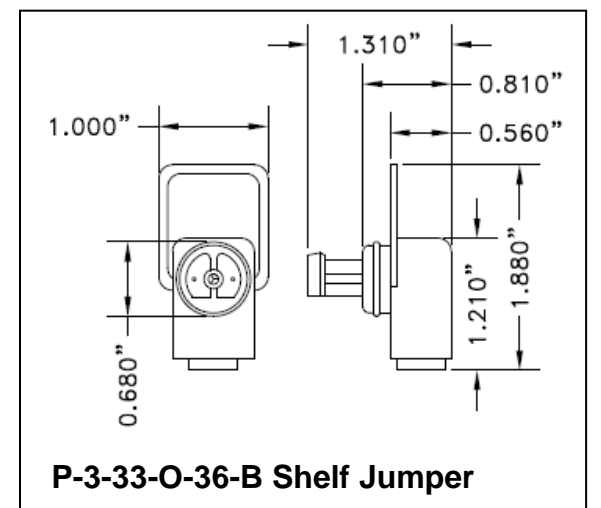
**R-3-5 Back Panel Receptacle**



**P-3-2-O-36-B Shelf Jumper**

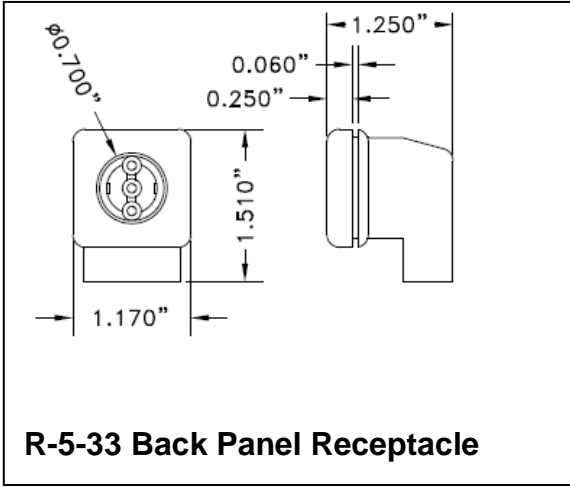


**R-3-33 Back Panel Receptacle**



**P-3-33-O-36-B Shelf Jumper**

**Back Panel Receptacle Foot Prints**



**LEDingEDGE Mating Plug Jumpers**

